

P 200 AXE *Smart*

PALFINGER

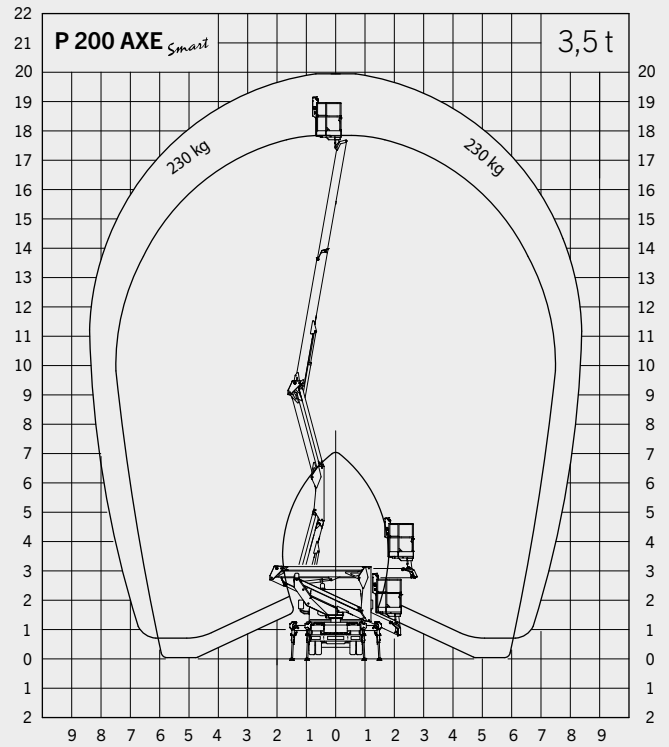
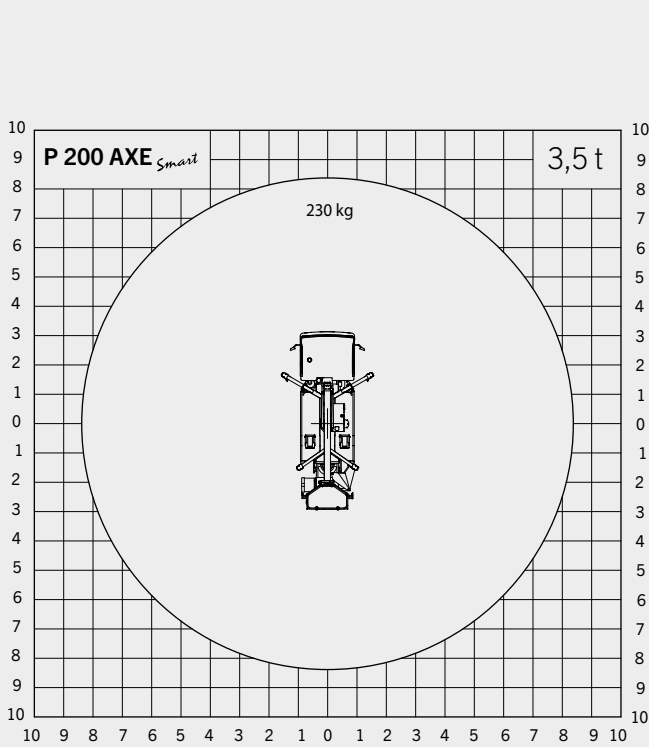
LIFETIME EXCELLENCE

THE BEST SOLUTION FOR EFFICIENT OPERATIONS IN TERMS OF PERFORMANCE, SIZE AND RELIABILITY



P 200 AXE *Smart*

WORKING DIAGRAMS



DIMENSIONS

